



VEHICLE DOCK FOR TOUGHBOOK CF-33 TABLET

Model Numbers: PCPE-GJ33V01/02/03/04/05

An ergonomically designed vehicle docking solution for the CF-33 tablet only, offering full and lite port replication variations and optional dual antenna pass-through.

The CF-33 tablet dock offers enhanced connectivity via two LAN outputs, four USB 2.0 ports; two of which are situated on the front of the dock, and two USB 3.0 ports.

The design of the CF-33 tablet vehicle dock accommodates the device with a hand strap or extended battery pack.

Key Features

- Designed for the Toughbook CF-33 tablet portion only
- Full port replication: 2 x USB 3.0; 4 x USB 2.0; 2 x LAN; HDMI; VGA; Serial; DC-in
- Lite port replication: 2 x USB 3.0; 4 x USB 2.0; 2 x LAN; Serial; DC-in
- Optional dual antenna pass-through
- Non-electronic version available (no ports)
- Can be mounted in horizontal or vertical position via VESA 75 mounting pattern
- Internal/protected circuit board protects against dirt and dust
- Floating docking connector for reliable docking connection - tested to 30,000 cycles (not limited to)
- Keyed lock for theft deterrence
- Accommodates device with hand strap or extended battery pack
- Power supply not included
- 1 year standard warranty (pick up and return)
- 3 and 5 year Extended Warranty and Accidental Damage Warranty options available

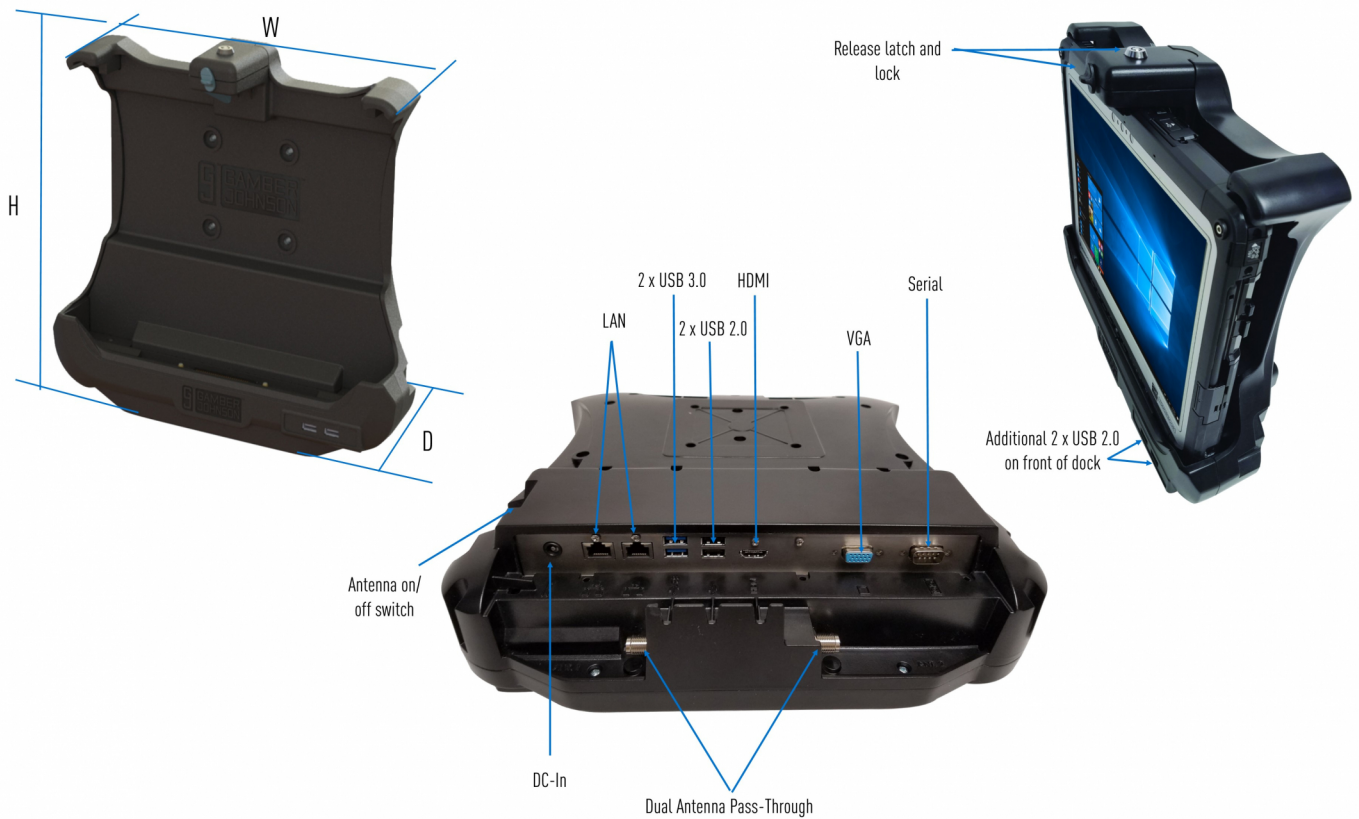
TOUGHBOOK

Panasonic recommends Windows 10 Pro.

VEHICLE DOCK FOR TOUGHBOOK CF-33 TABLET

Technical specifications are subject to change without notice.

Model Number	PCPE-GJ33V02	PCPE-GJ33V03	PCPE-GJ33V04	PCPE-GJ33V05
Antenna Pass-Through	None	Dual	None	Dual
Lock Type	Keyed Alike			
Power Input	16V DC			
LAN	2x			
USB	2 x USB 3.0; 4 x USB 2.0			
Serial	1x			
VGA	1x			-
HDMI	1x			-
Dimensions				
Width	336.5 mm / 13.25"			
Height	317.5 mm / 12.5"			
Depth	114.3 mm / 4.5"			
Weight	1.88 kg / 4.15 lbs			
Warranty	1 year standard (pick up and return); extended options available			
Configurations Supported:	CF-33 tablet with hand strap or extended battery			
Non-electronic version available?	Yes - PCPE-GJ33V01			



CERTIFICATIONS AND TESTING:

- Toughbook Certified
- MIL-STD-810G shock/vibration certified
- RoHS; FCC; CE